



Dimension and Specification Handbook



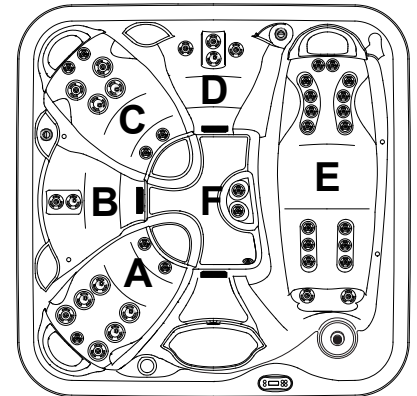
Contents

Sun and Soul Series	3
S1 Lounge Specifications	3
S1 Lounge Operation/Seat Depths.....	4
S1 Lounge Portable Dimensions	5
S2 Specifications	6
S2 Operation/Seat Depths.....	7
S2 Portable Dimensions	8

S1

Specifications

Seating Capacity	5-6 Adults
Dimensions	84" x 84" x 36" (213 cm x 213 cm x 91 cm);
Dry Weight	669 lbs (303 kg)
Filled Weight	4,030 lbs (1,828 kg)
Water Capacity	403 US gallons (1,526 Liters)
Electronic Controls	Digital Touch Controller. Offers customizing of cleaning cycles and water temperature setting.
Pump 1	North America (60 Hz): 2-Speed, 4.5 HP break, 2.5 HP continuous, 56-Frame
Export (50 Hz):	N/A
Pump 2	North America (60 Hz): 1-Speed, 4.8 HP break, 2.5 HP continuous, 56-Frame
Export (50 Hz):	N/A
Circulation Pump	N/A
Total Jets	41
Seat A Jets	3 Pismo 2" Directional Jets, 2 Pismo 3.5" Directional Jets, 4 Pismo 3.5" Swirl Jets
Seat B Jets	1 Pismo 3" Directional Jet, 1 Pismo 3" Swirl Jet
Seat C Jets	4 Pismo 2" Directional Jets, 2 Pismo 3.5" Directional Jets, 2 Pismo 3.5" Swirl Jets
Seat D Jets	3 Pismo 3" Directional Jets, 1 Pismo 3" Swirl Jet
Seat E Jets	14 Pismo 2" Directional Jets, 2 Pismo 3" Directional Jets
Footwell Jets	2 Pismo 2" Directional Jets
Massage Selectors	N/A
Air Controls	2
Water Management System	40 ft ² filter cartridge
Export (50 Hz):	N/A
LED Lighting	Underwater light, Waterfall, Bullet lights (4 qty)
Shell Colors	Platinum
Cabinet Colors	Dark Gray
Headrests	3
Waterfalls	1
Heater:	Hi Flow 4.0 kW
Export (50 Hz):	N/A
Electrical Requirements:	North America (60 Hz): 240 VAC@40A/50A/60A
Export (50 Hz):	N/A
Warranty*	North America (60 Hz): 5 Years Shell, 3 Years Shell Surface, 2 Years Plumbing Component Leaks, 2 Years Electrical Components, 1 Year Cabinet

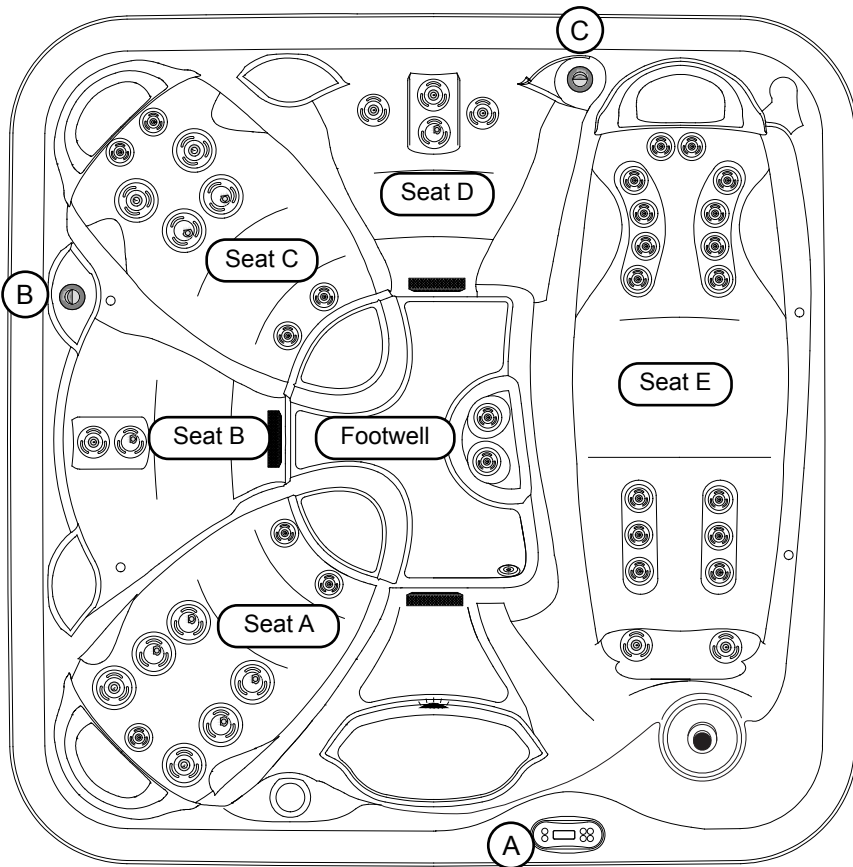


*(See Warranty Document for Specific Details)

Dimensions/Specifications are Subject to Change Without Notice

S1

Massage Selector/Air Control Diagram



- (A) Topside Control - Activate Jet Pumps, Light and Control Water Temperature
- (B) Air Control - [Works with Pump 2]
 Seat A Jets (3 Pismo 2" Directional Jets, 2 Pismo 3.5" Directional Jets, 4 Pismo 3.5" Swirl Jets)
 Seat C Jets (4 Pismo 2" Directional Jets, 2 Pismo 3.5" Directional Jets, 2 Pismo 3.5" Swirl Jets)
 Footwell Jets (2 Pismo 2" Directional Jets)
- (C) Air Control - [Works with Pump 1]
 Seat B Jets (1 Pismo 3" Directional Jet, 1 Pismo 3" Swirl Jet)
 Seat D Jets (3 Pismo 3" Directional Jets, 1 Pismo 3" Swirl Jet)
 Seat E Jets (14 Pismo 2" Directional Jets, 2 Pismo 3" Directional Jet)

- Jet Pump 1: Seats B, D, and E
- Jet Pump 2: Seats A, C, and Footwell

41 Total Jets (Jet may vary from one shown)

Pismo 2" Directional Jets (23)

Pismo 3" Directional Jets (6)

Pismo 3" Swirl Jets (2)

Pismo 3.5" Directional Jets (4)

Pismo 3.5" Swirl Jets (6)



Spa Operation Subject to Change without Notice

Seat Depths

A = 27.95" (70.99 cm)

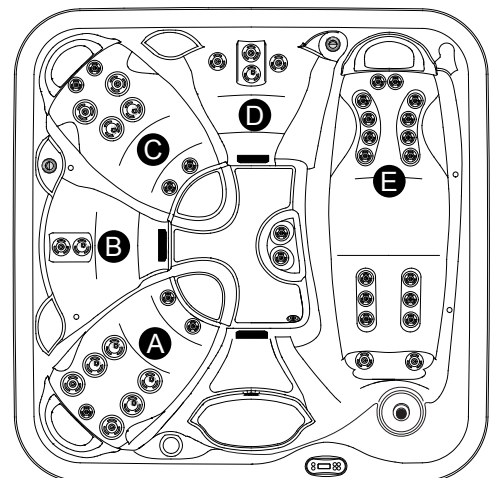
B = 21.54" (54.71 cm)

C = 26.00" (66.04 cm)

D = 21.53" (54.68 cm)

E = 26.76" (67.97 cm)

Listed dimensions represent distance from top of spa to lowest point in seat.
 Tolerance: ± 0.5" (1.27 cm)

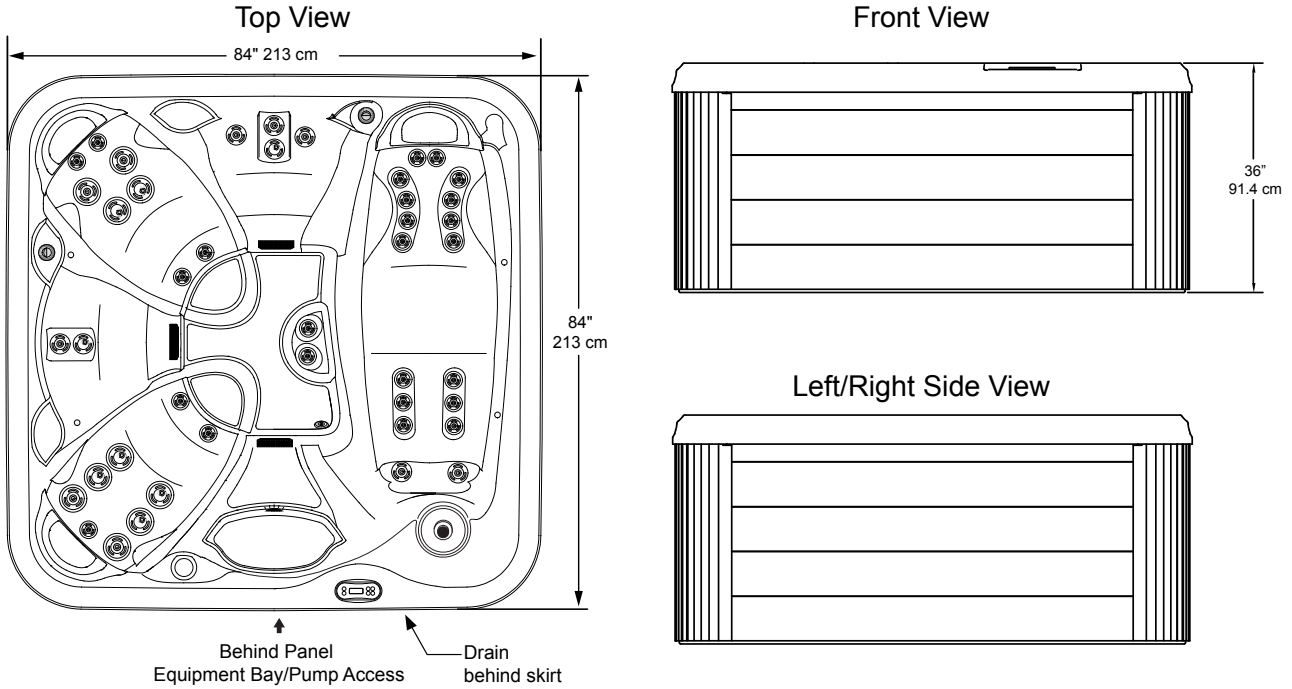


Dimensions/Specifications are Subject to Change Without Notice

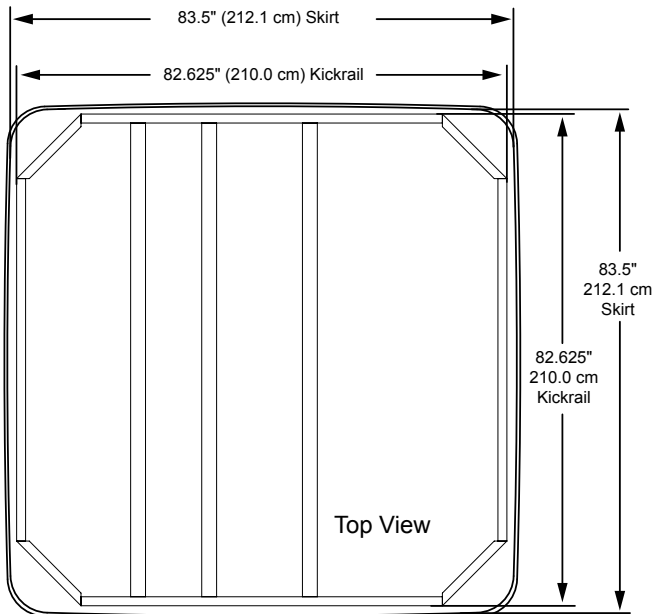
S1

Dimensions

Portable Dimensions



STOP **IMPORTANT! Always measure each hot tub for exact dimensions BEFORE designing its foundational support and/or decking.** **STOP**



Specifications	
Length	84"
Width	84"
Height	36"
Seats	5-6
Headrests	3
Jets	41
Air Controls	2
Water Feature	1
Suctions	3
Pumps	2
Voltage	240v

Dimensions/specifications subject to change without notice. Tolerance $\pm 0.5"$ (1.27 cm)

S2

Specifications

Seating Capacity	6-7 Adults
Dimensions	84" x 84" x 36" (213 cm x 213 cm x 91 cm);
Dry Weight	655 lbs (297 kg)
Filled Weight	3,791 lbs (1,720 kg)
Water Capacity	376 US gallons (1,423 Liters)
Electronic Controls	Digital Touch Controller. Offers customizing of cleaning cycles and water temperature setting.
Pump 1	North America (60 Hz): 2-Speed, 4.5 HP break, 2.5 HP continuous, 56-Frame
Export (50 Hz):	N/A
Pump 2	North America (60 Hz): 1-Speed, 4.8 HP break, 2.5 HP continuous, 56-Frame
Export (50 Hz):	N/A
Circulation Pump	N/A
Total Jets	43
Seat A Jets	3 Pismo 2" Directional Jets, 2 Pismo 3.5" Directional Jets, 4 Pismo 3.5" Swirl Jets
Seat B Jets	1 Pismo 3" Directional Jet, 1 Pismo 3" Swirl Jet
Seat C Jets	4 Pismo 2" Directional Jets, 2 Pismo 3.5" Directional Jets, 2 Pismo 3.5" Swirl Jets
Seat D Jets	3 Pismo 3" Directional Jets, 1 Pismo 3" Swirl Jet
Seat E Jets	10 Pismo 2" Directional Jets
Seat F Jets	1 Pismo 2" Directional Jet, 5 Pismo 3" Swirl Jet
Footwell Jets	4 Pismo 2" Directional Jets
Massage Selectors	N/A
Air Controls	2
Water Management System	40 ft ² filter cartridge
Export (50 Hz):	N/A
LED Lighting	Underwater light, Waterfall, Bullet lights (4 qty)
Shell Colors	Platinum
Cabinet Colors	Dark Gray
Headrests	4
Waterfalls	1
Heater:	Hi Flow 4.0 kW
Export (50 Hz):	N/A
Electrical Requirements:	North America (60 Hz): 240 VAC@40A/50A/60A Export (50 Hz): N/A
Warranty*	North America (60 Hz): 5 Years Shell, 3 Years Shell Surface, 2 Years Plumbing Component Leaks, 2 Years Electrical Components, 1 Year Cabinet



*(See Warranty Document for Specific Details)

Dimensions/Specifications are Subject to Change Without Notice

S2

Massage Selector/Air Control Diagram



- (A) Topside Control - Activate Jet Pumps, Light and Control Water Temperature
- (B) Water Feature Control (Pump 1) - Controls Water Feature Output.
- (C) Air Control -
 Seat A Jets (3 Pismo 2" Directional Jets, 2 Pismo 3.5" Directional Jets, 4 Pismo 3.5" Swirl Jets)
 Seat B Jets (1 Pismo 3" Directional Jet, 1 Pismo 3" Swirl Jet)
 Seat C Jets (4 Pismo 2" Directional Jets, 2 Pismo 3.5" Directional Jets, 2 Pismo 3.5" Swirl Jets)
- (D) Air Control
 Seat D Jets (3 Pismo 3" Directional Jets, 1 Pismo 3" Swirl Jet)
 Seat E Jets (10 Pismo 2" Directional Jets)
 Seat F Jets (1 Pismo 2" Directional Jet, 5 Pismo 3" Swirl Jet)

- Jet Pump 1: Seats D, E, and F
- Jet Pump 2: Seats A, B, and C

43 Total Jets (Jet may vary from one shown)

Pismo 2" Directional Jets (22)

Pismo 3" Directional Jets (4)

Pismo 3" Swirl Jets (7)

Pismo 3.5" Directional Jets (4)

Pismo 3.5" Swirl Jets (6)



Spa Operation Subject to Change without Notice

Seat Depths

- A = 27.95" (70.99 cm)
- B = 21.54" (54.71 cm)
- C = 26.11" (66.31 cm)
- D = 21.50" (54.61 cm)
- E = 28.00" (71.12 cm)
- F = 26.14" (66.39 cm)

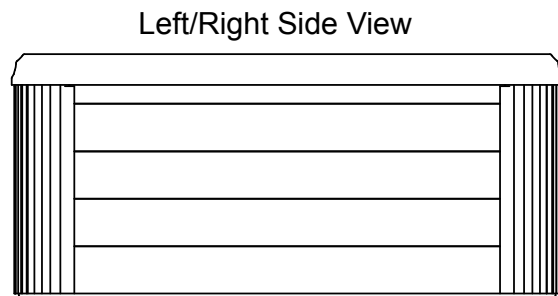
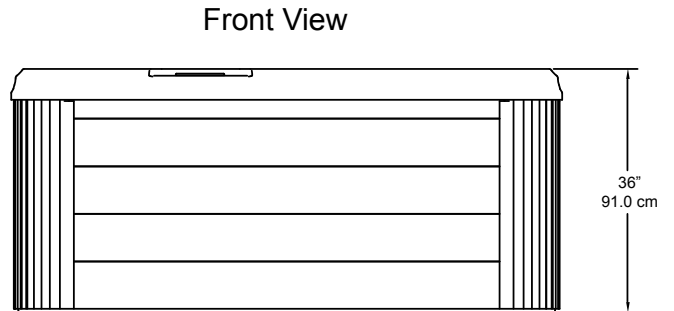
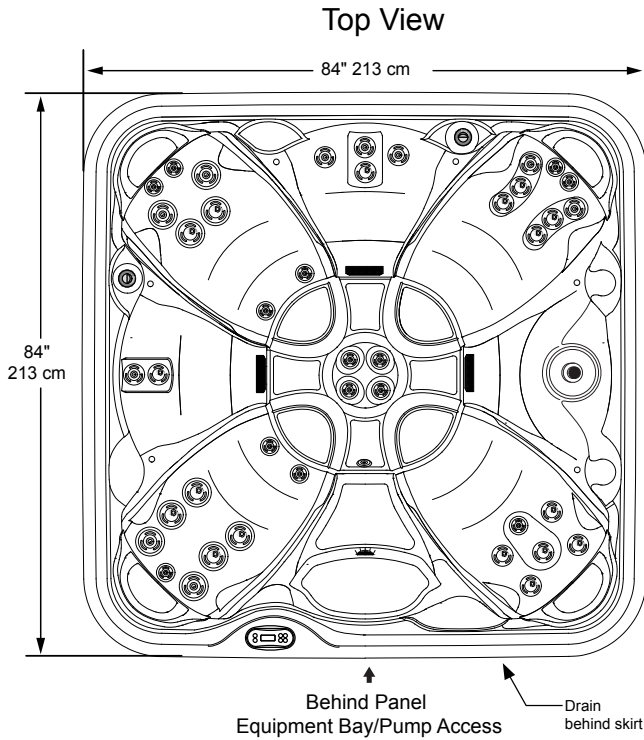
Listed dimensions represent distance from top of spa to lowest point in seat.
 Tolerance: ± 0.5" (1.27 cm)



Dimensions/Specifications are Subject to Change Without Notice

S2

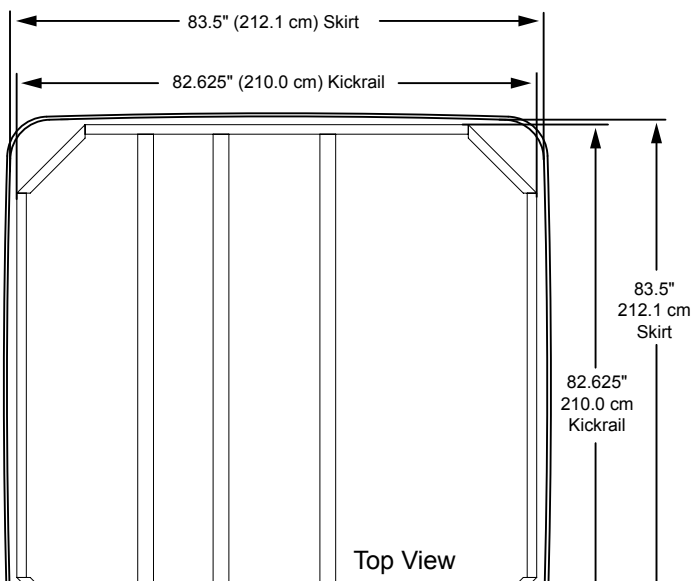
Dimensions Portable Dimensions



STOP

IMPORTANT! Always measure each hot tub for exact dimensions BEFORE designing its foundational support and/or decking.

STOP



Specifications	
Length	84"
Width	84"
Height	36"
Seats	6-7
Headrests	4
Jets	43
Air Controls	2
Water Feature	1
Suctions	3
Pumps	2
Voltage	240v

Dimensions/specifications subject to change without notice. Tolerance $\pm 0.5"$ (1.27 cm)

